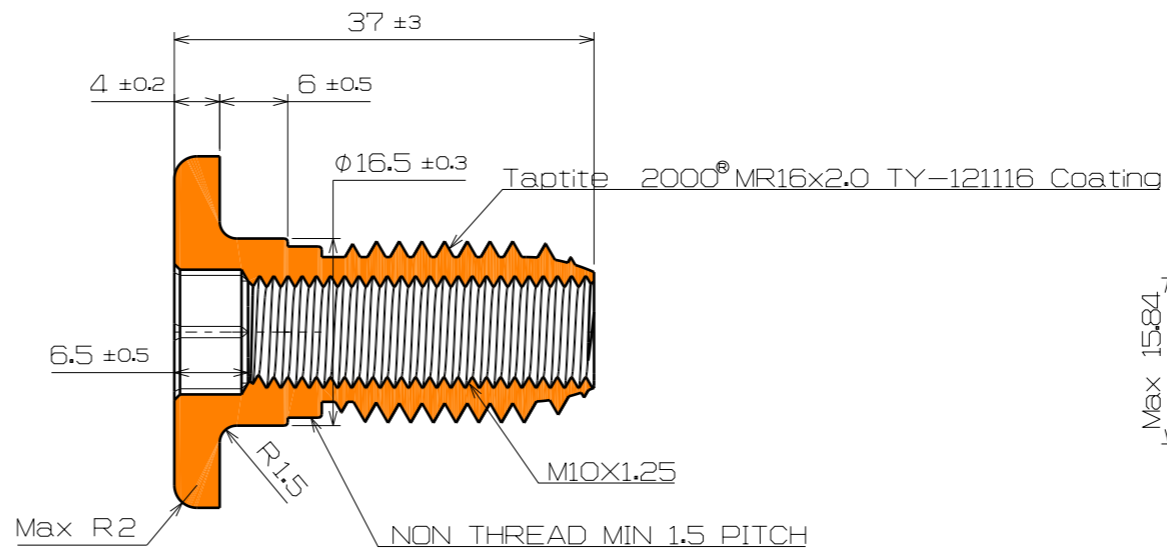
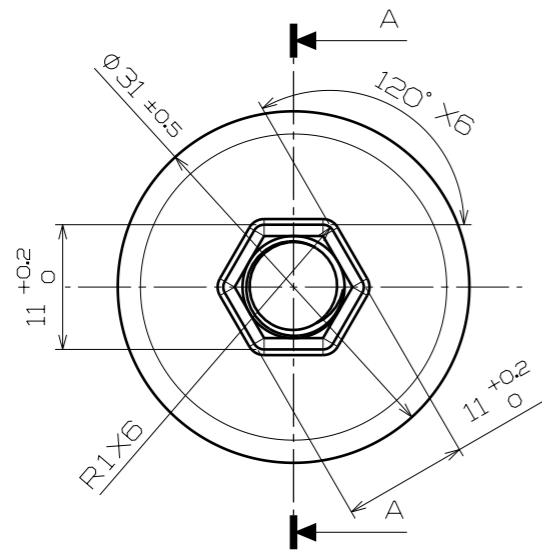
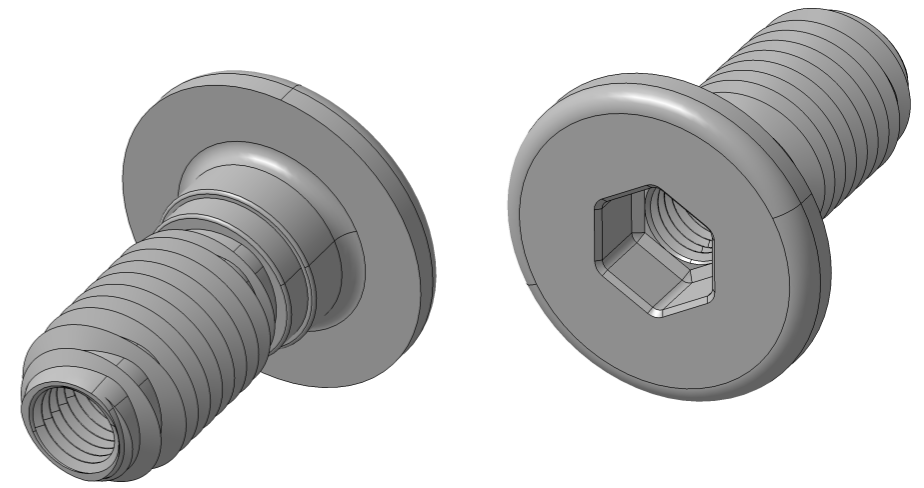
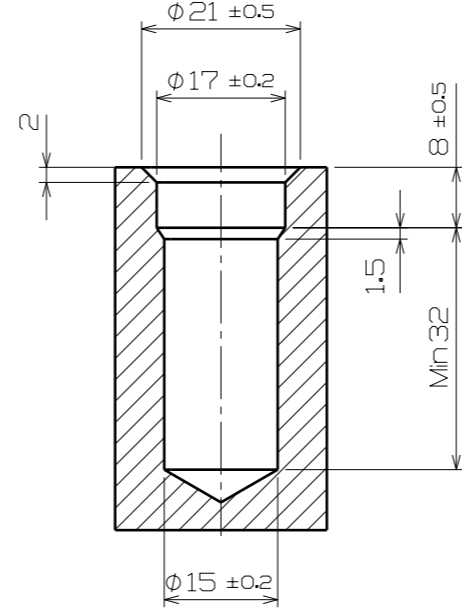


Taptite 2000® fasteners have a special point design featuring a Short lead (2–2.5 threads) for low thread-forming torque.

Metric Data

Screw Size	Screw Body Dimensions		Point
	C Nominal	D Nominal	CP Max.
M16X2.0	16.00	15.80	14.76

Hole Size



Section View A-A

