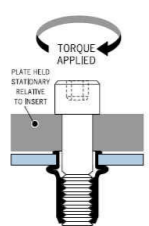
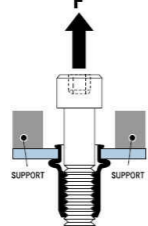
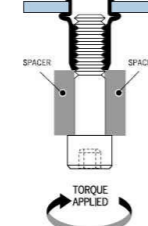
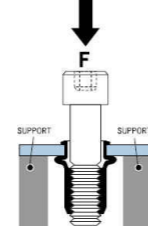



Thread / filetage / Gewinde / filetto / rosca				
	Recommended max. torque	Pull-out	Torque-to-turn	Push-out
	Nm max.	kN	Nm min.	kN
M3 x 0.5	1.5	4.2	1.1	1.8
M4 x 0.7	5.1	5.5	2.2	2.9
M5 x 0.8	7.9	8.0	3.4	4.2
M6 x 1.0	12.4	10.8	4.7	6.5
M8 x 1.25	32.0	12.5	6.8	7.9
M10 x 1.5	45.0	17.3	16.7	10.7

Thread / filetage / Gewinde / filetto / rosca	e (grip)		 +0.1/-0	øA max.	øB max.	D ±0.13	øJ max.	M nom.	P max.	Part No/ref
	min.	max.								
M3 x 0.5	0.25	2.00	5.00	4.95	8.20	0.75	7.40	10.50	6.00	09408-72314
M4 x 0.7	0.25	3.00	6.00	5.95	9.20	0.75	8.80	11.50	7.10	09408-72415
	3.00	4.50						13.00		09408-72417
M5 x 0.8	0.25	3.00	7.00	6.95	10.20	1.00	10.20	13.00	7.90	09408-72517
	3.00	5.50						15.50		09408-72520
M6 x 1.0	0.50	3.00	9.00	8.95	13.20	1.50	12.70	16.00	9.40	09408-72621
	3.00	5.50						18.50		09408-72623
M8 x 1.25	0.50	3.00	11.00	10.95	16.40	1.50	15.00	17.50	11.00	09408-72822
	3.00	5.50						20.00		09408-72825
M10 x 1.5	0.50	3.50	13.00	12.95	18.90	2.25	17.50	22.00	14.50	09408-72028
	3.50	6.00						25.00		09408-72031