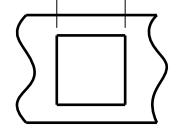


D O M A

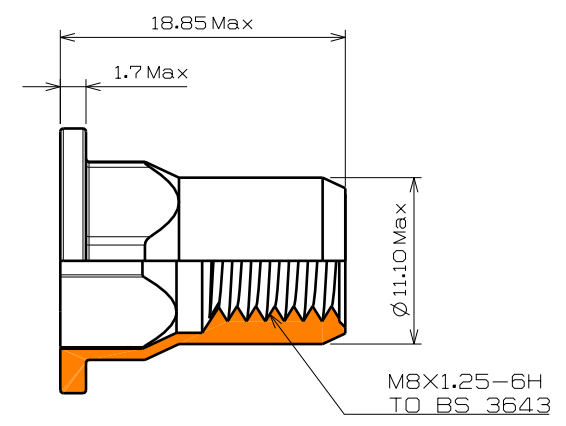
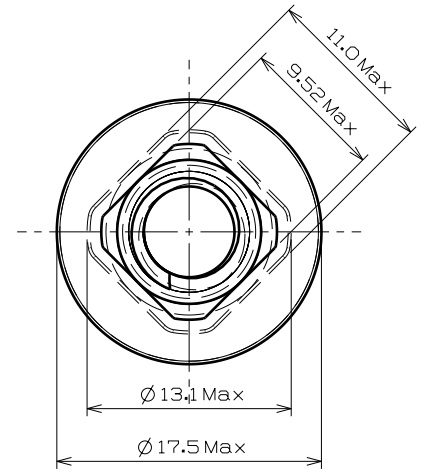
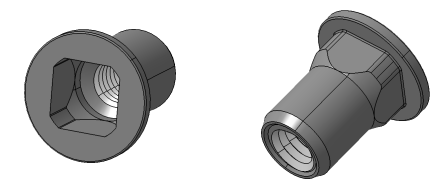
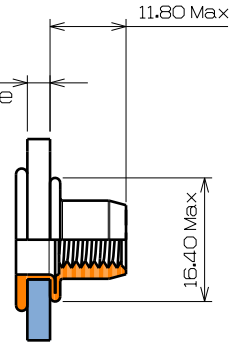
4 4

Recommend Hole Size

11.3 ± 0.1



0.65-3.0
Grip Range



2 2

1 1

D A