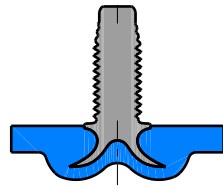
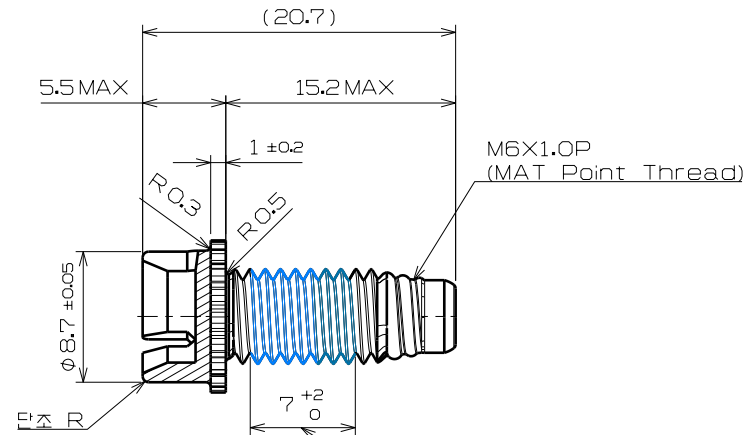
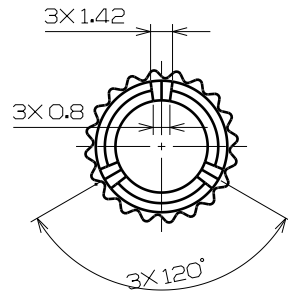
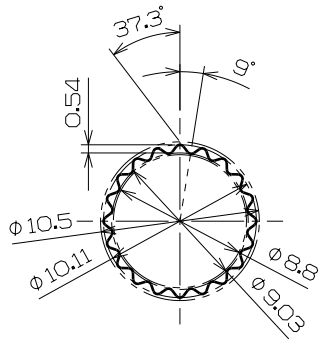
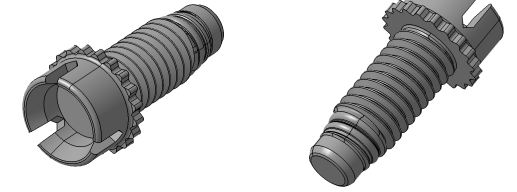
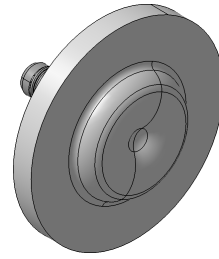


After Placing



Section Cut B-B
After Placing



PATCH PER GM6175M
(Loctite Coating)
- Color : Blue
- Prevailing Torque : Max 1.5N/m
- Break away Torque : 1.5 ~ 6.0N/m