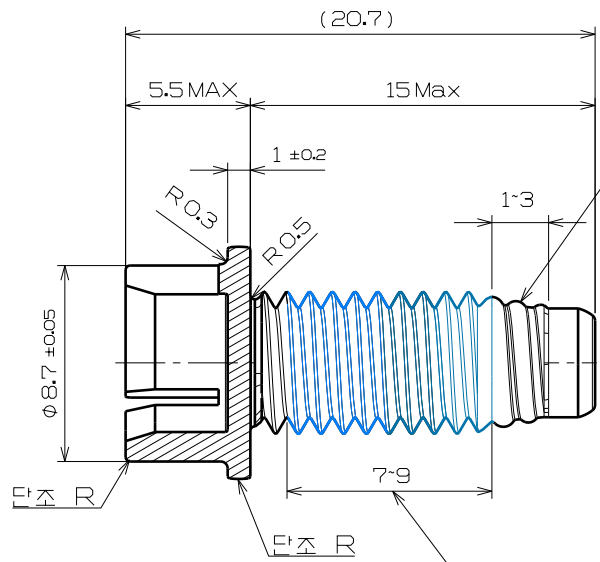
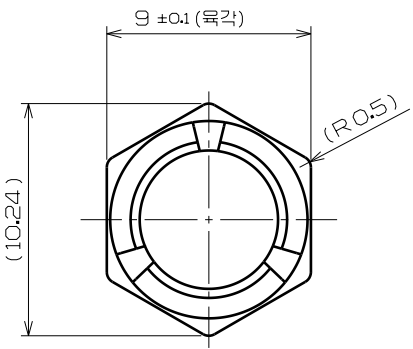
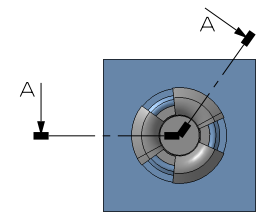
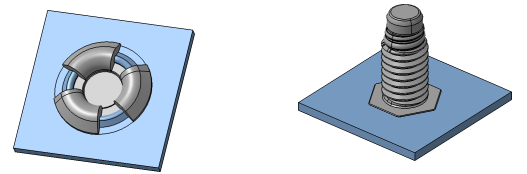
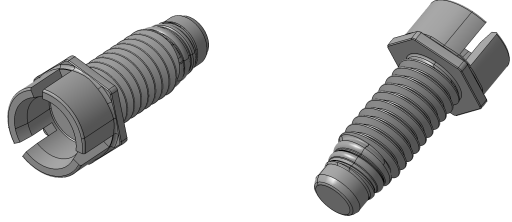
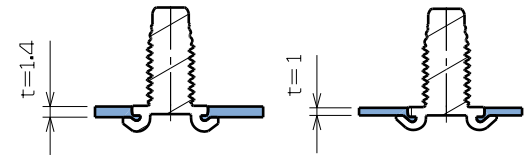


"Every dispute related with this drawing and claim charge is in charge of Infastech Korea (Including Patent)." "KJE is exempted for every dispute related with this drawing."



M6X1.0P
(MAT Point Very Short)



Section Cut A-A
After Placing

PATCH PER GM6175M
(Loctite Coating)
- Color : Orange
- Prevailing Torque : Max 1.5N/m
- Break away Torque : 1.5 ~ 6.0N/m