

D C B A

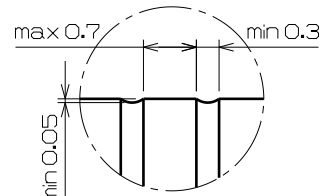
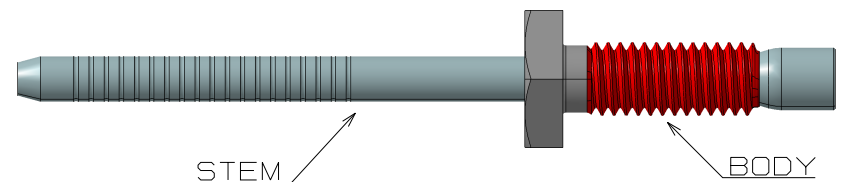
4 4

3 3

2 2

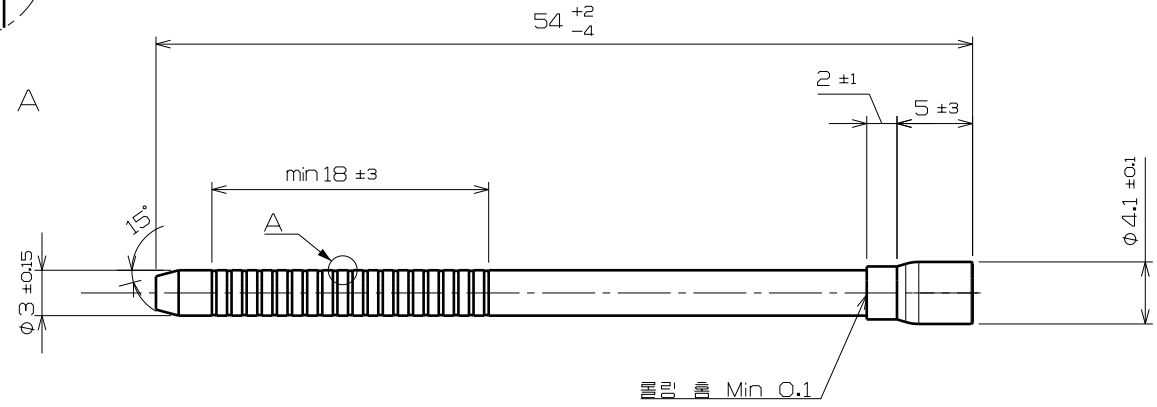
1 1

D A



Detail A

STEM



4

3

2

1

A