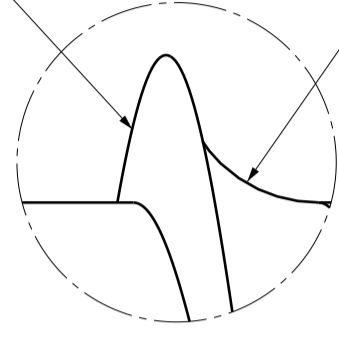
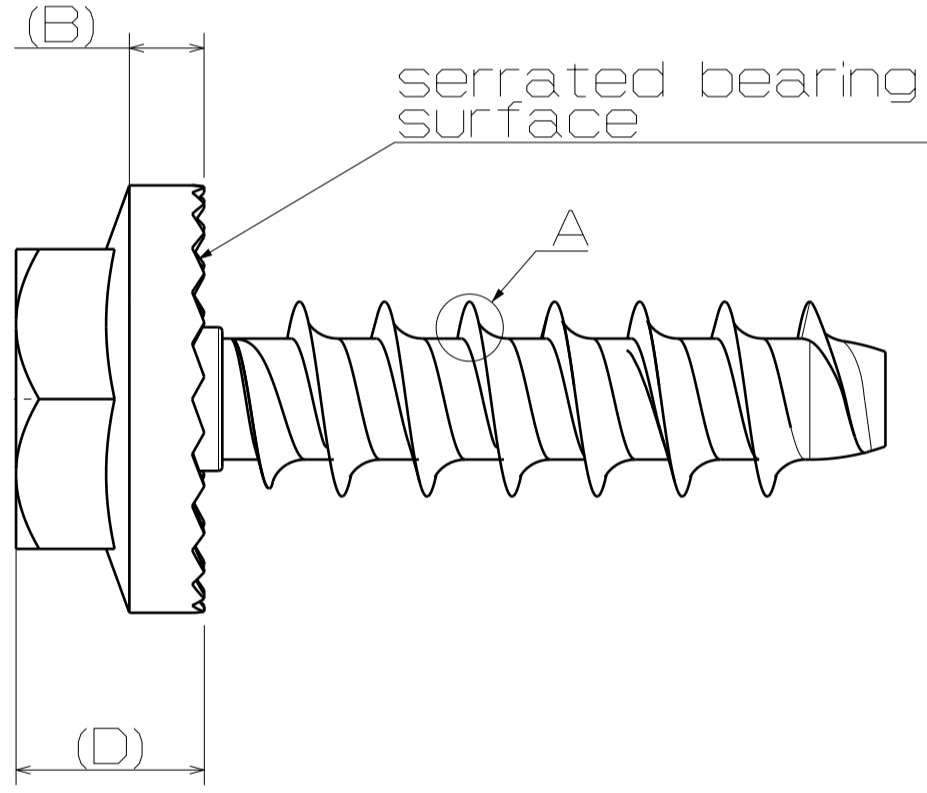
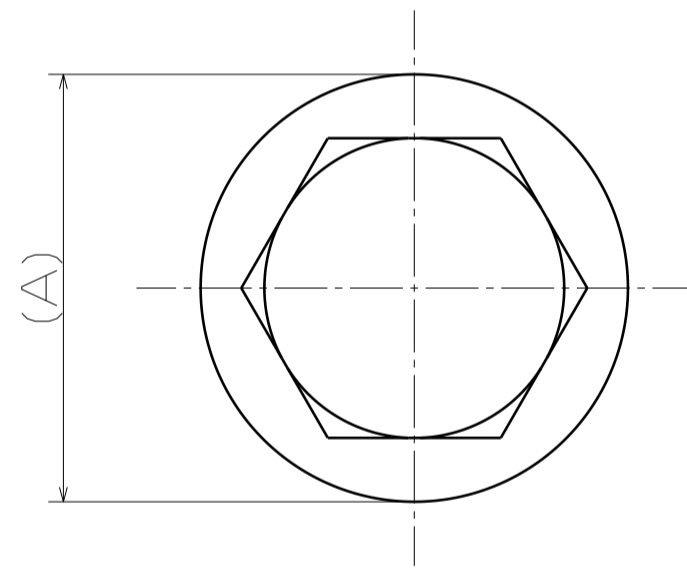
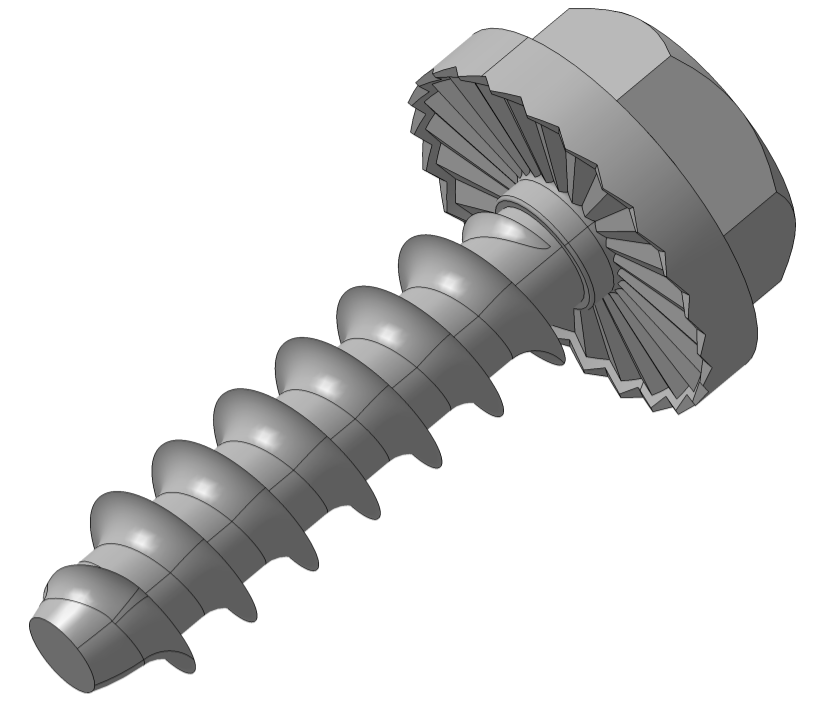


Steep Flank

Radius Flank



Detail View "A"  
Scale 2:1



serrated bearing surface

