

D

C

B

A

4

4

3

3

2

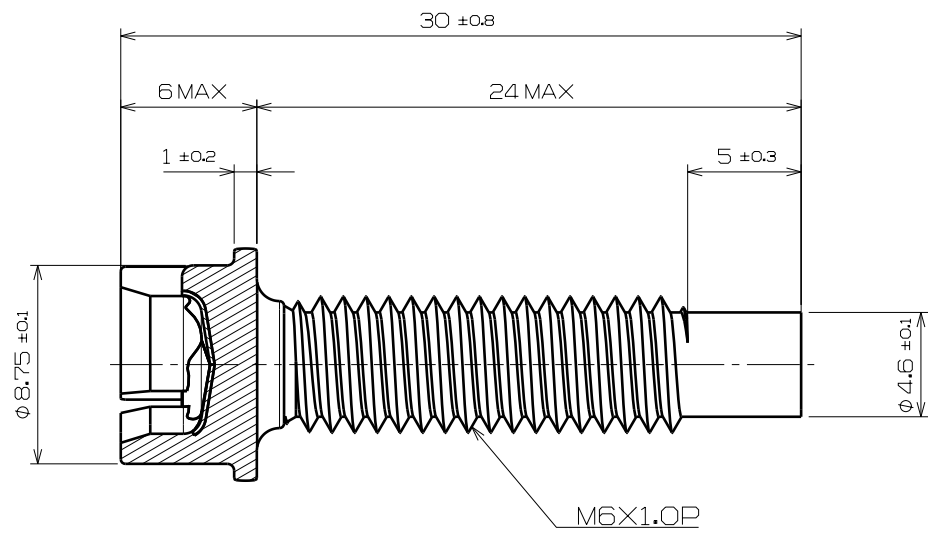
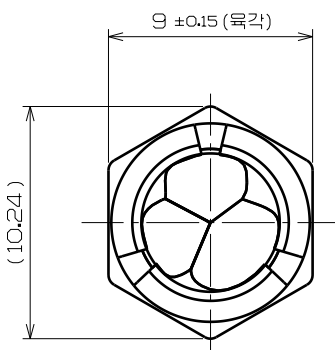
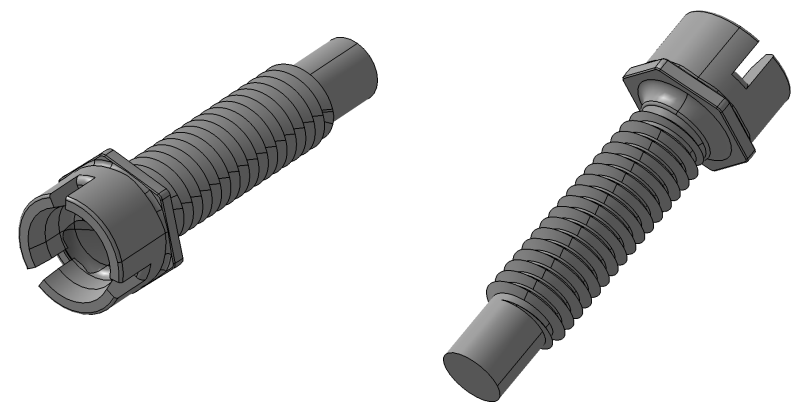
2

1

1

D

A



NOTE

- 1. MATERIAL : SCM435 (PASASAIP)
- 2. HEAT TREATMENT : Hrc 31~39 (10.9 Class)
- 3. SURFACE TREATMENT : 아연니켈(도금 두께:8µm이상)