

F

E

D

C

B

A

6

6

5

5

4

4

3

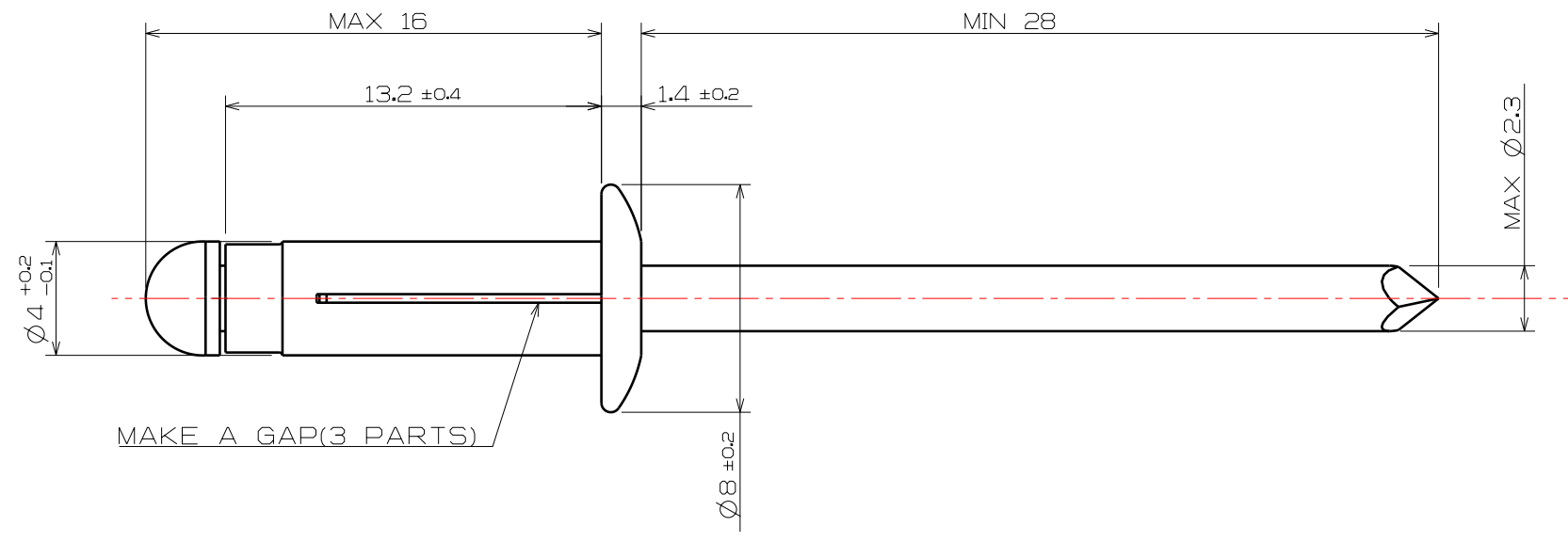
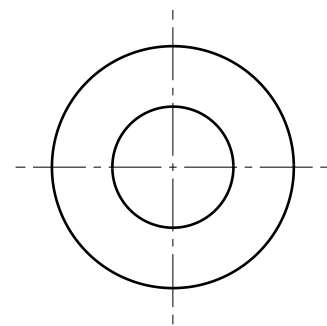
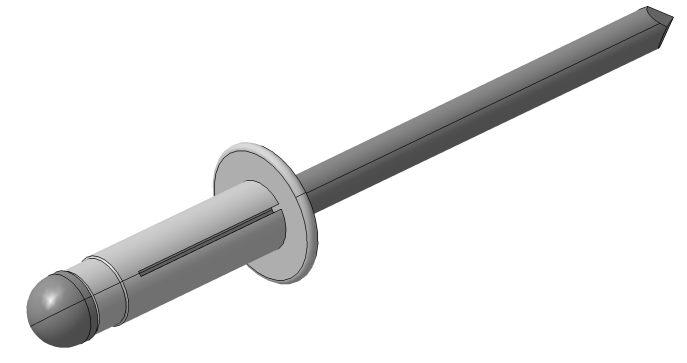
3

2

2

1

1



- NOTE
- MATERIAL
    - BODY : A5052
    - STEM : A5056
  - SURFACE TREATMENT
    - NATURAL
  - GRIP RANGE : 1.0 ~ 3.0mm
  - HOLE SIZE : Ø4.3 ~ Ø4.5mm
  - TENSILE : TYPICAL 102Kgf
  - SHEAR : TYPICAL 61.2Kgf
  - PUSH OUT : MIN 51.2Kgf

F

A