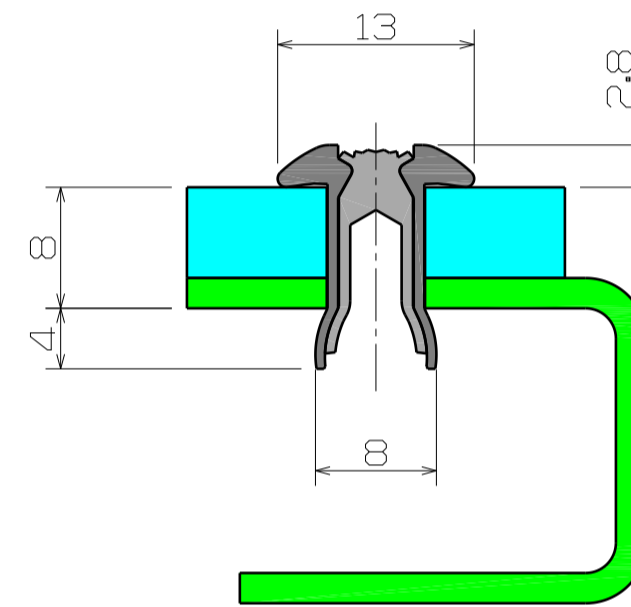
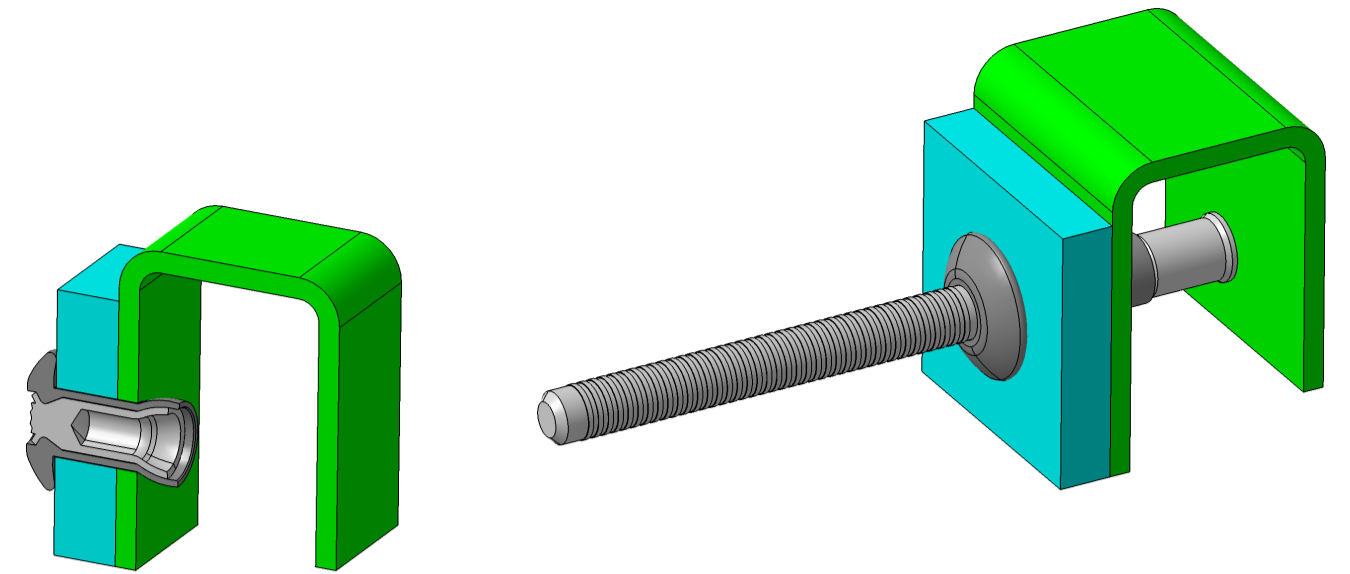


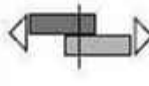



BEFORE PLACING  
LIMITED REAR CLEARANCE



AFTER PLACING

Ø					M	ØB	D <sub>1</sub>	T	D <sub>2</sub>			Part No/ref
	nom.	min.	max.	min.								
6.4 (1/4")	2.03	9.53	6.6	7.0	24.6	13.4	2.9	13.0	2.7	6.0	4.2	02774-00817
	2.03	15.87			34.7			18.1				02774-00824

NOTES

1. TO INSTALL AVDEL UK LIMITED FASTENERS, USE OF AVDEL UK LIMITED SPECIFIED INSTALLATION TOOLING IS RECOMMENDED (SEE APPROPRIATE BROCHURE)
2. AVDEL UK LIMITED FASTENERS ARE READY FOR USE AS SUPPLIED AND SHALL NOT BE REPROCESSED OR DEGREASED PRIOR TO INSTALLATION AS THIS MAY AFFECT PERFORMANCE
3. DIMENSION 'T' IS THE MINIMUM CLEARANCE BEHIND SHEET TO ANY OBSTRUCTION
4. MONOBOLT IS A TRADEMARK OF AVDEL UK LIMITED
5. DIMENSION 'A' IS OVER UNCRIMPED PORTION OF BODY