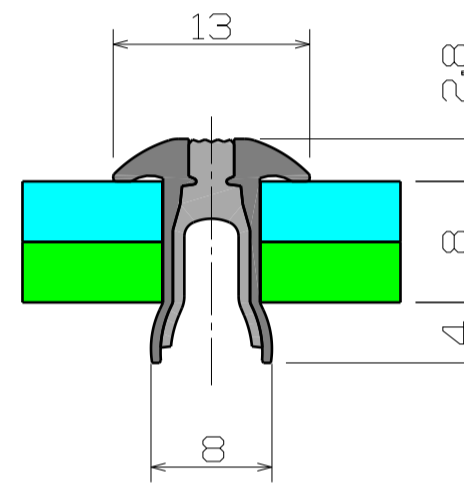
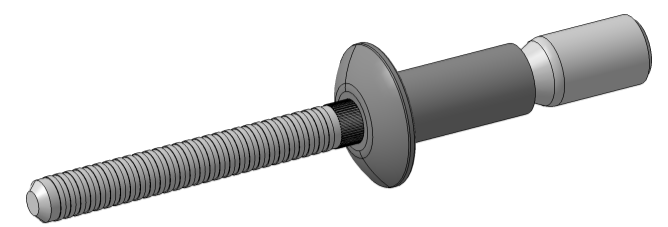
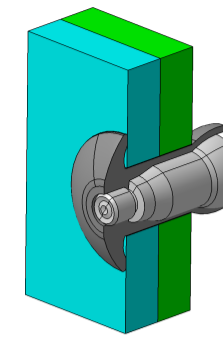


BEFORE PLACING



AFTER PLACING



NOTES

1. RECOMMENDED HOLE SIZE : $\phi 6.6 \sim \phi 7.0$
2. RECOMMENDED GRIP RANGE : $t2.0 \sim t9.5$
3. RIVET MECHANICAL STRENGTH
 TENSILE STRENGTH : 2900N min.
 SHEAR STRENGTH : 3600N min.