

F

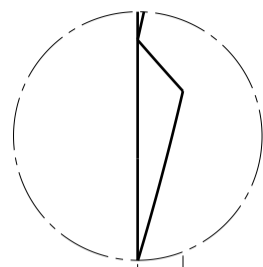
E

D

C

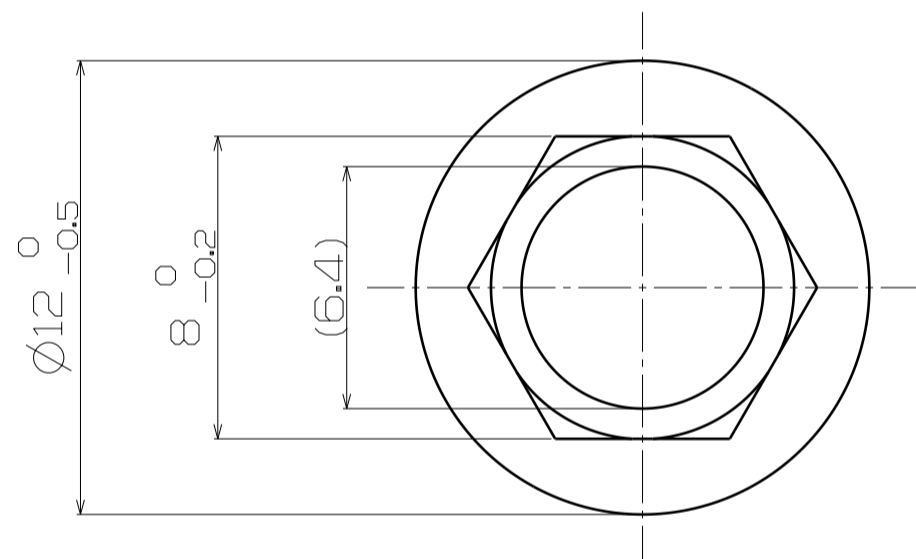
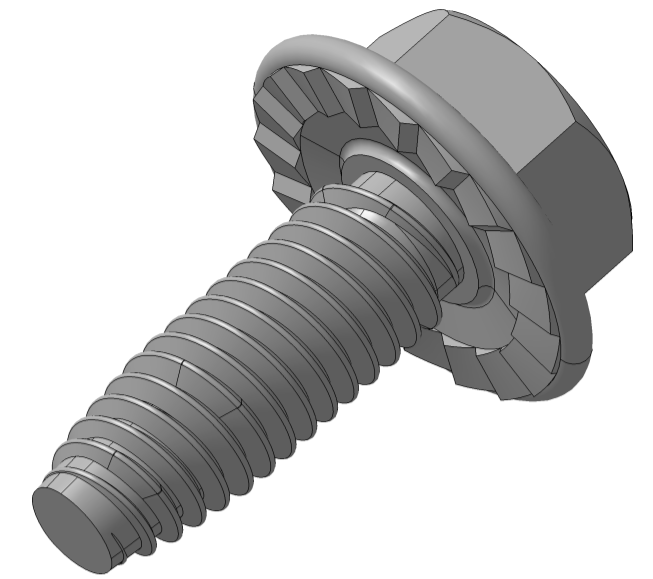
B

A



(0.2-0.5)

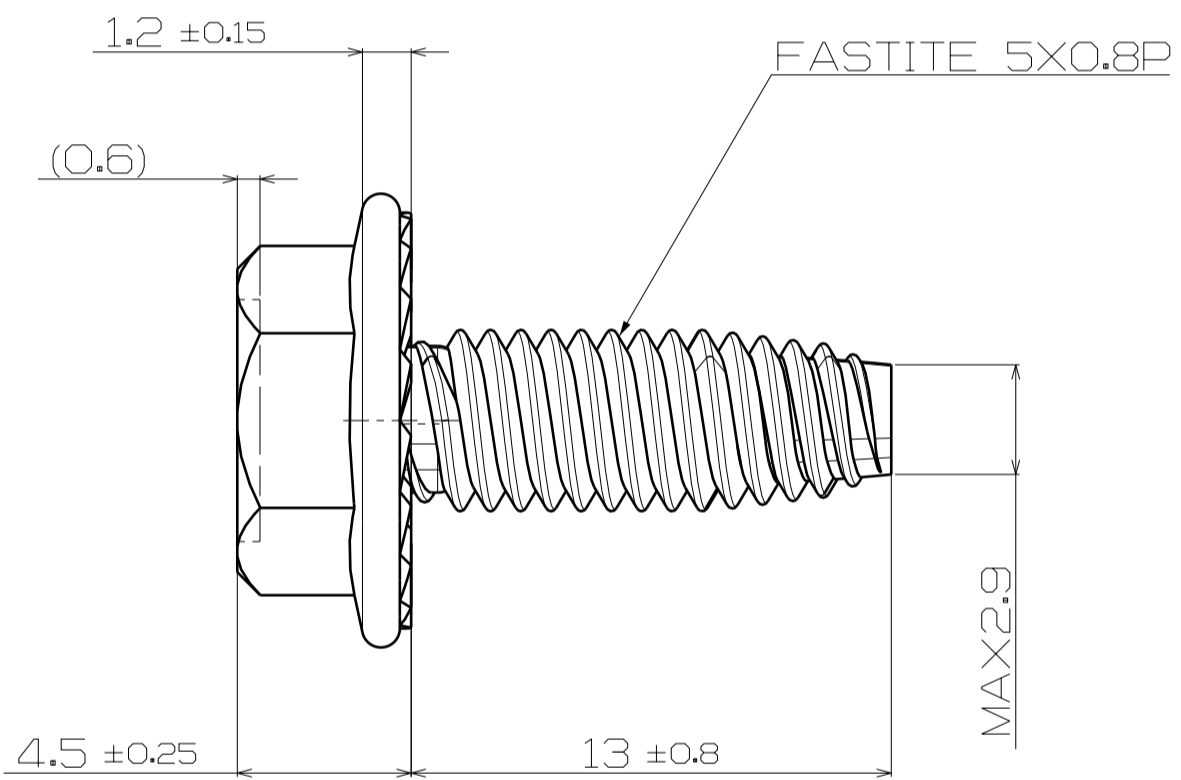
Detail "A"



$\text{Ø}12 \begin{smallmatrix} 0 \\ -0.5 \end{smallmatrix}$

$8 \begin{smallmatrix} 0 \\ -0.2 \end{smallmatrix}$

(6.4)



1.2 ± 0.15

(0.6)

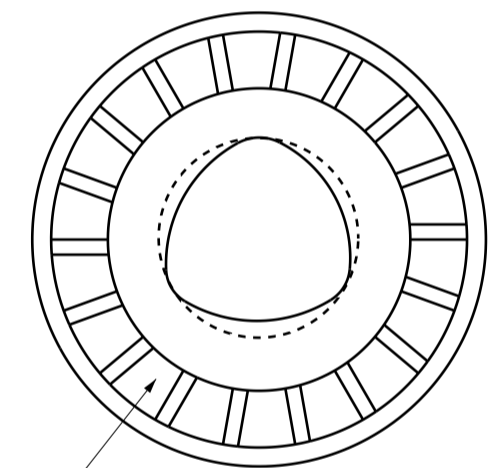
FASTITE 5X0.8P

4.5 ± 0.25

13 ± 0.8

MAX2.9

SERRATION 18



F

A

1

1

7

7

6

6

5

5

4

4

3

3

2

2