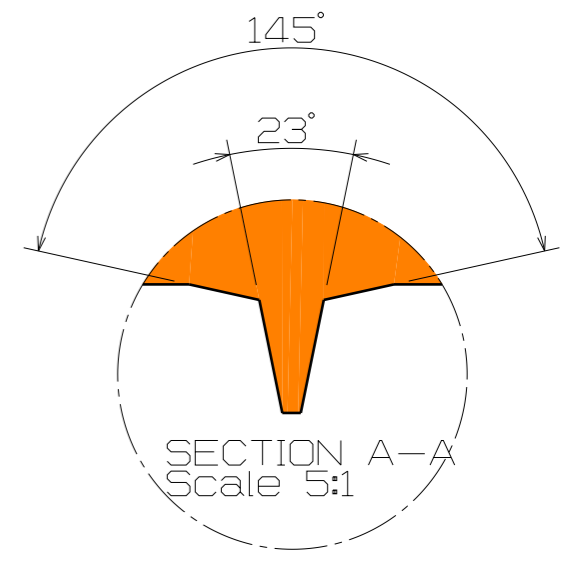
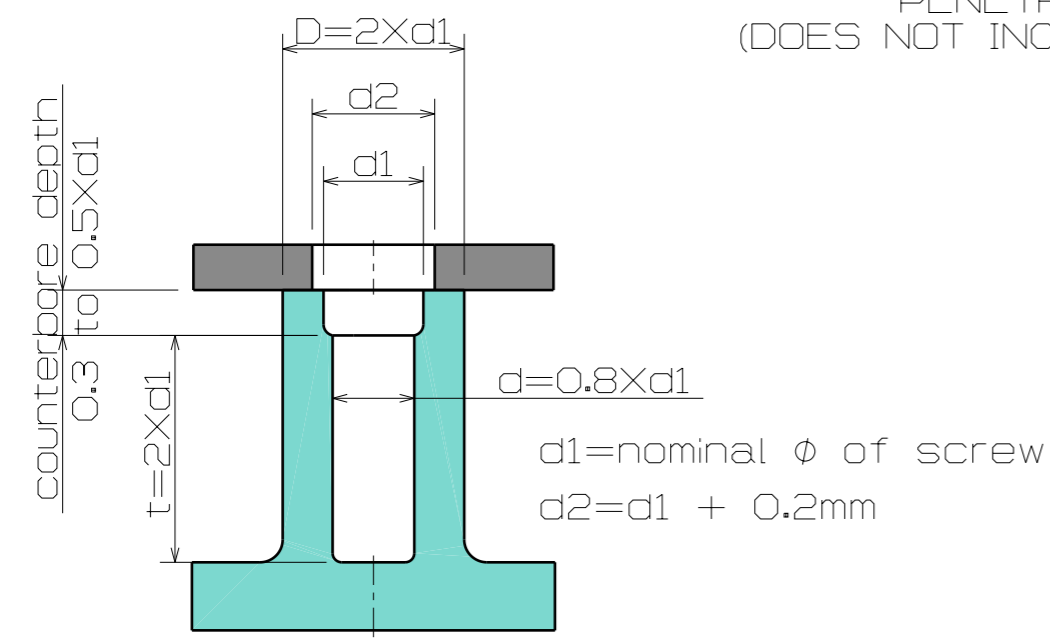


DELTA 60 X 2.14
 DELTA PT® THREAD
 MAJOR DIAMETER:(6.00)



RECESS
 PENETRATION
 (DOES NOT INCLUDE INDENT)



DIMENSIONAL DATA *PT fastener standards are true metric sizes.

Nom. Size	Metric Size	P Thread Pitch(mm)	MØ Major Dia.(mm)	mØ Minor Dia.(mm)
Delta PT 60	M6.0	2.14	6.0	4.3

