

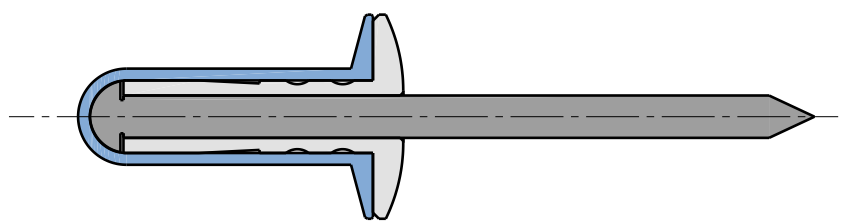
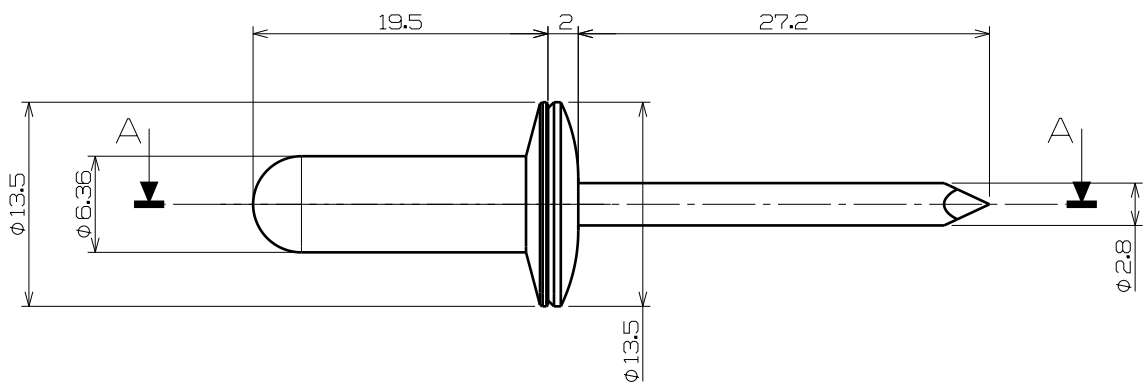
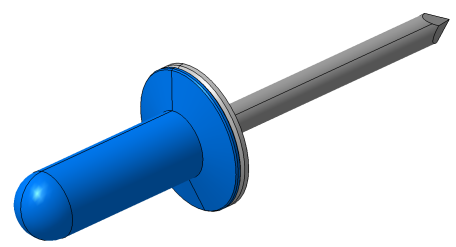
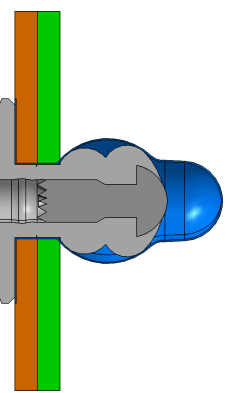
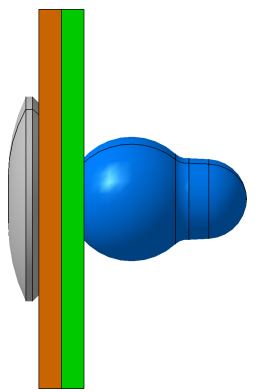
D

C

B

A

After Placing



Section View A-A

D

A