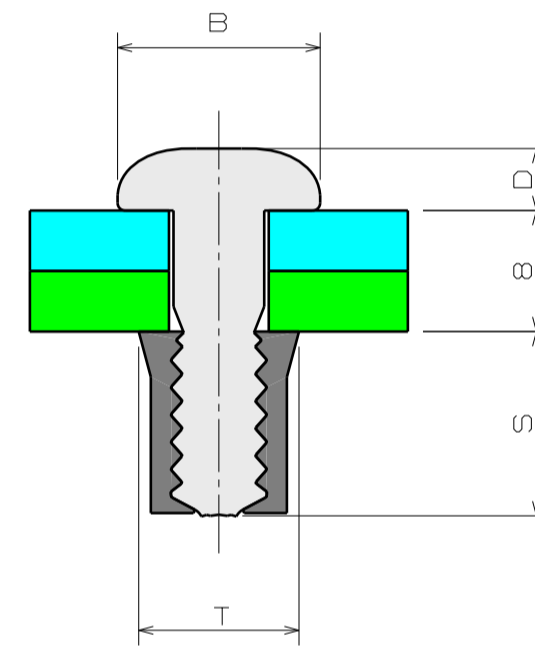


BEFORE PLACING



AFTER PLACING

ø	w. Full Collar ²⁾		L	B	D	Part No/ref Pin ¹⁾	Part No/ref Full Collar		Part No/ref Half Collar ²⁾		Part No/ref Flanged Collar ³⁾		
	nom.	min.					max.	S max.	T max.	S max.	T max.	S max.	T max.
6.4 (1/4")	6.35	9.53	6.6	6.35	13.4	4.1	02801-00805	02837-00800	02838-00800	02839-00800			
	7.92	11.10		02801-00806			12.2	10.6	10.7	10.6	13.2	13.1	0.94