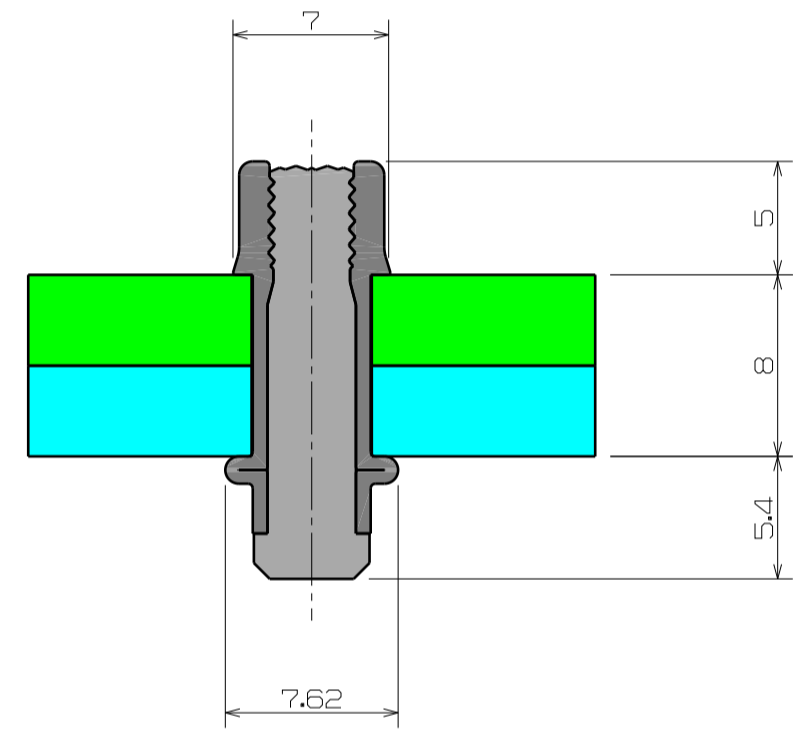


BEFORE PLACING



AFTER PLACING

Ø	[Symbol]		[Symbol]		ØA	ØB	D	D ₁	E	M	S	X	Z	[Symbol]	[Symbol]	Part No/ref
	nom.	min.	max.	min.												
4.8 (3/16")	7.16	8.76	5.28	5.64	5.20	7.32	4.95	5.26	41.84	17.19	6.38	7.54	5.35	12.40	8.00	21021-00605
	8.76	10.34							43.41	18.76						21021-00606