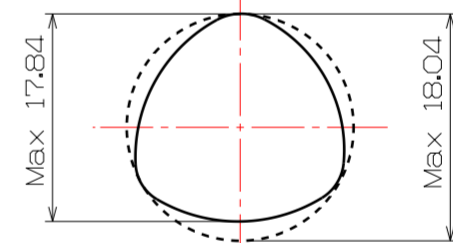
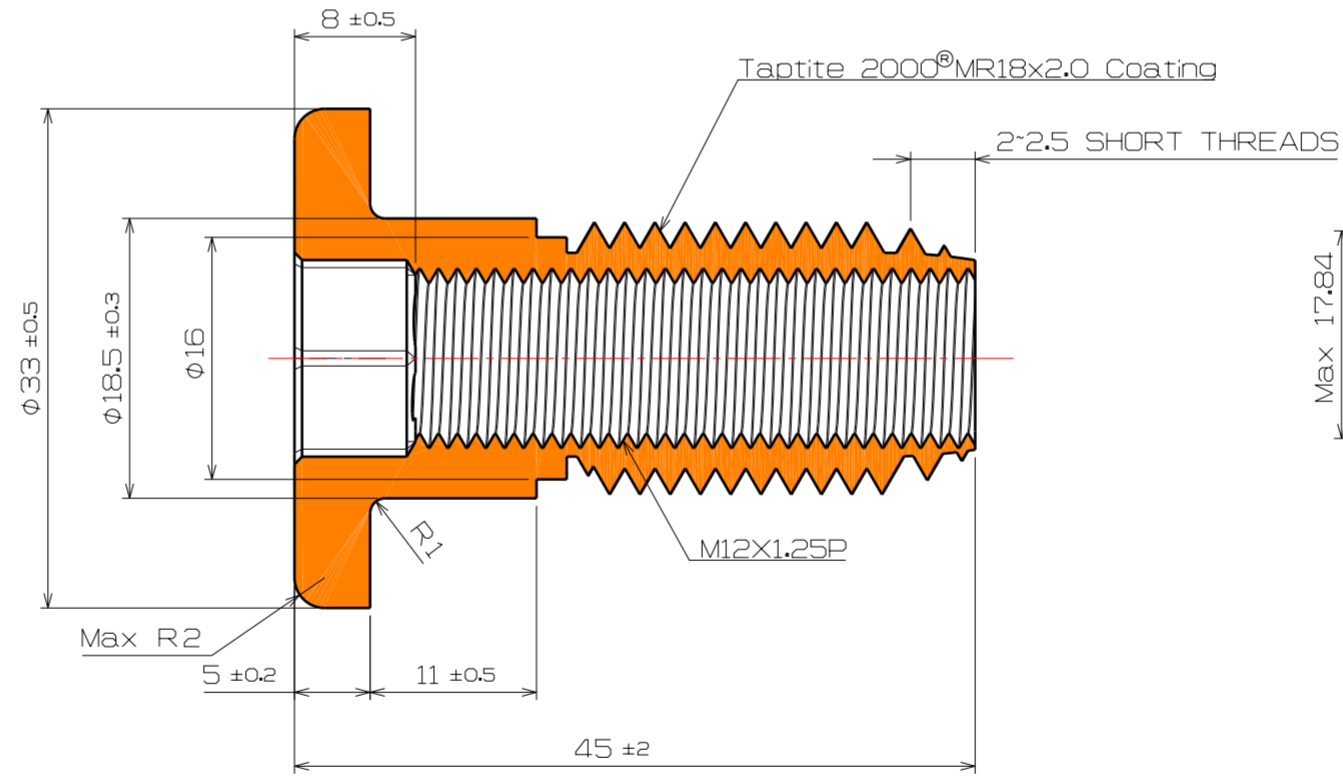
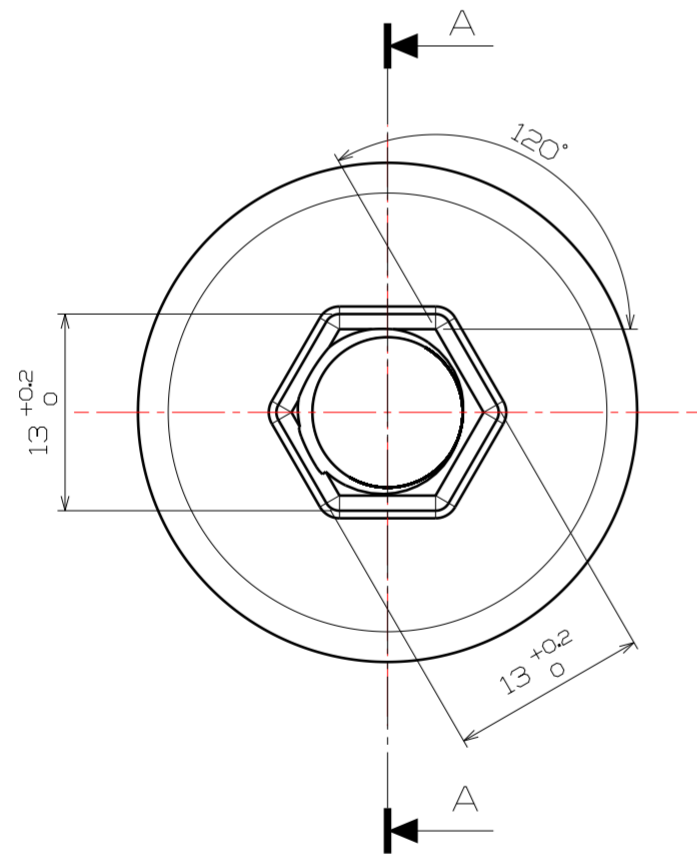
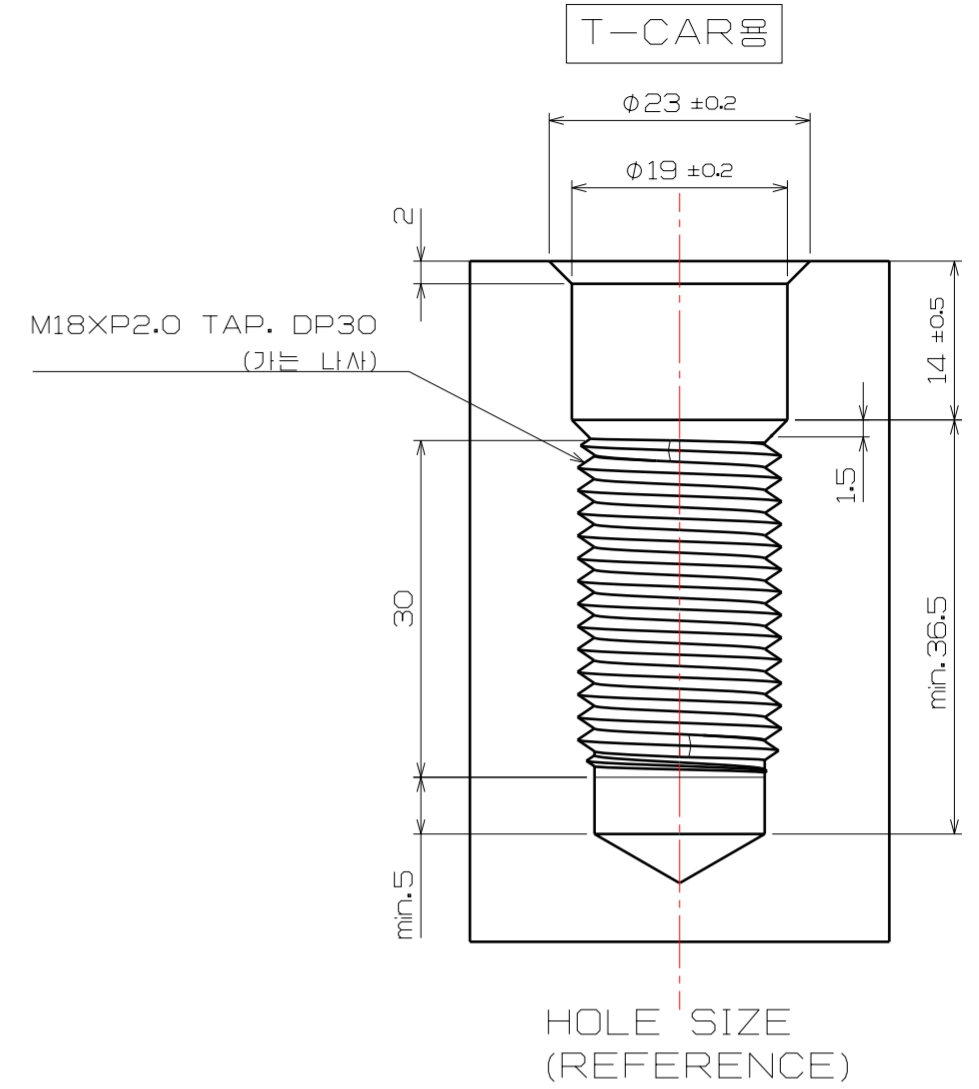
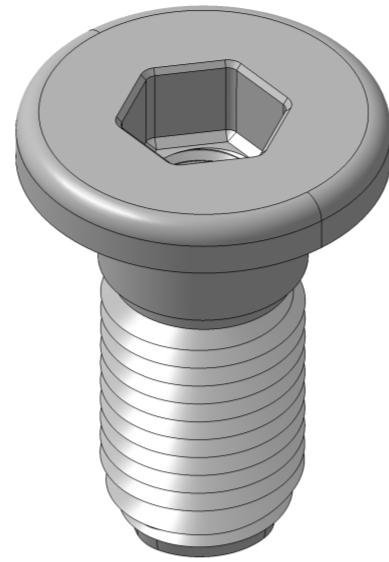


Taptite 2000® fasteners have a special point design featuring a Short lead (2-2.5 threads) for low thread-forming torque.

**Metric Data**

Screw Size	Screw Body Dimensions		Point
	C Nominal	D Nominal	CP Max.
MR18X2.0	18	17	16.76



Section View A-A