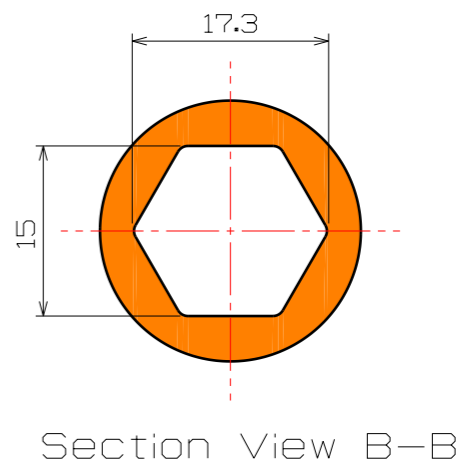
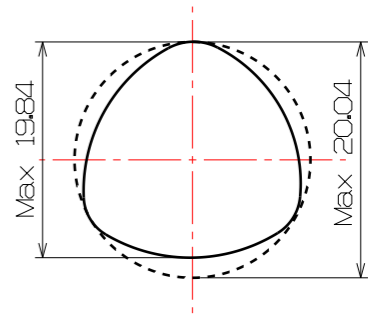


Section View A-A



Section View B-B

