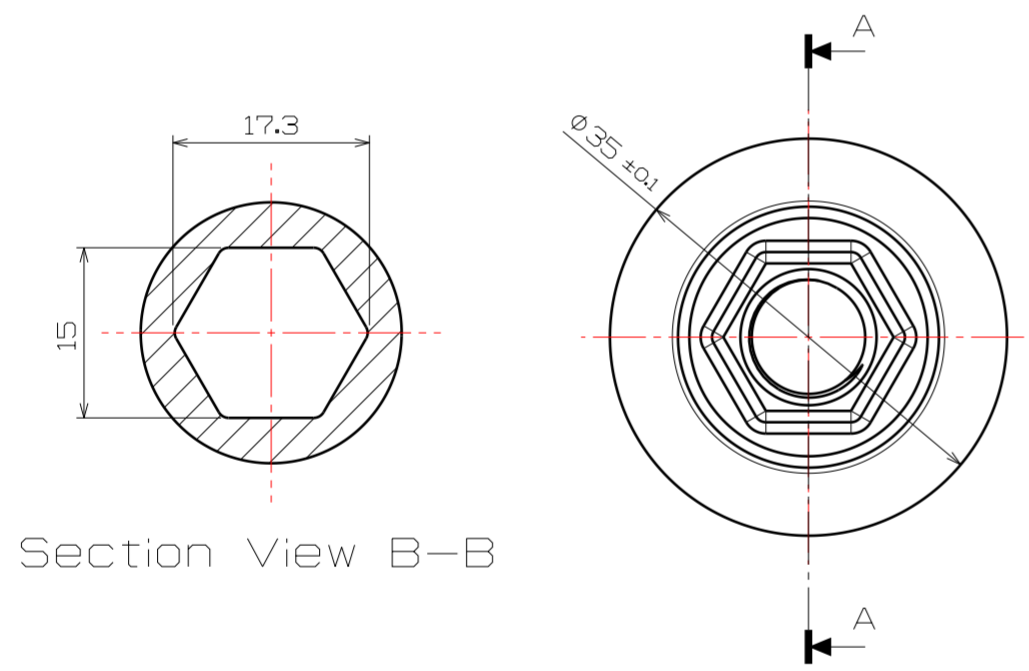
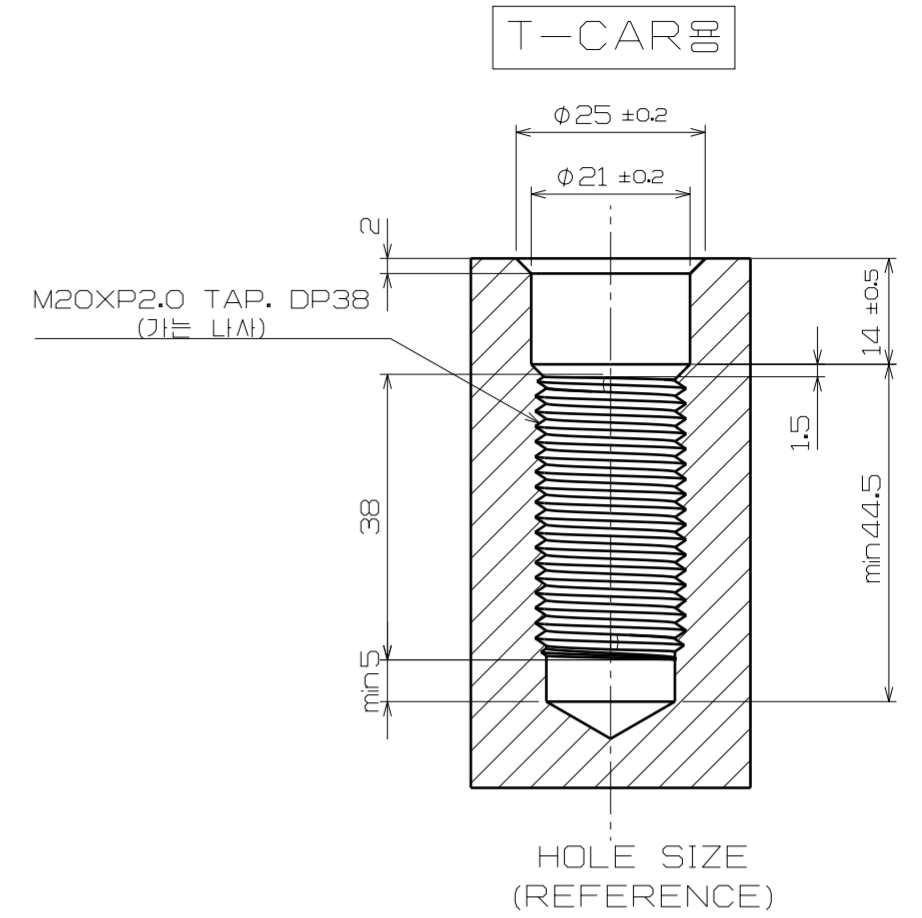
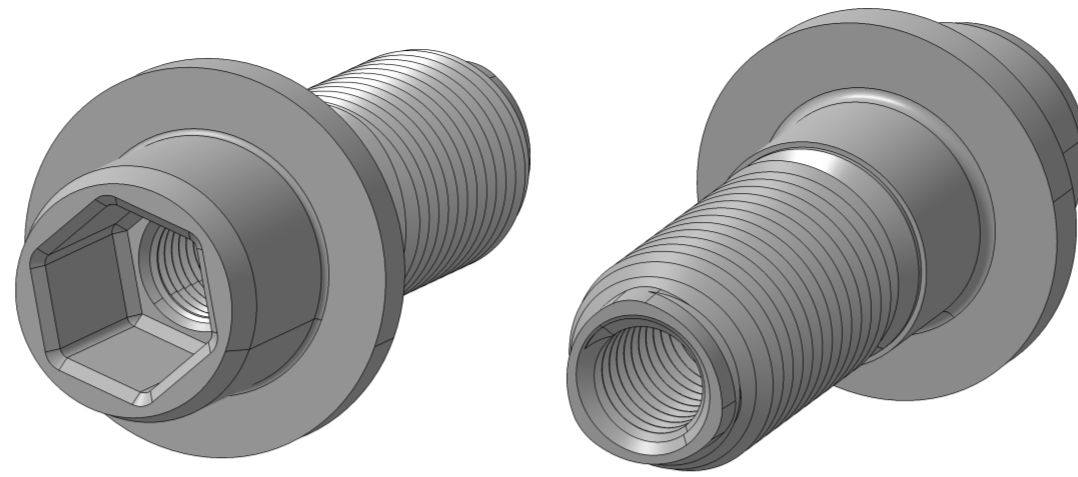


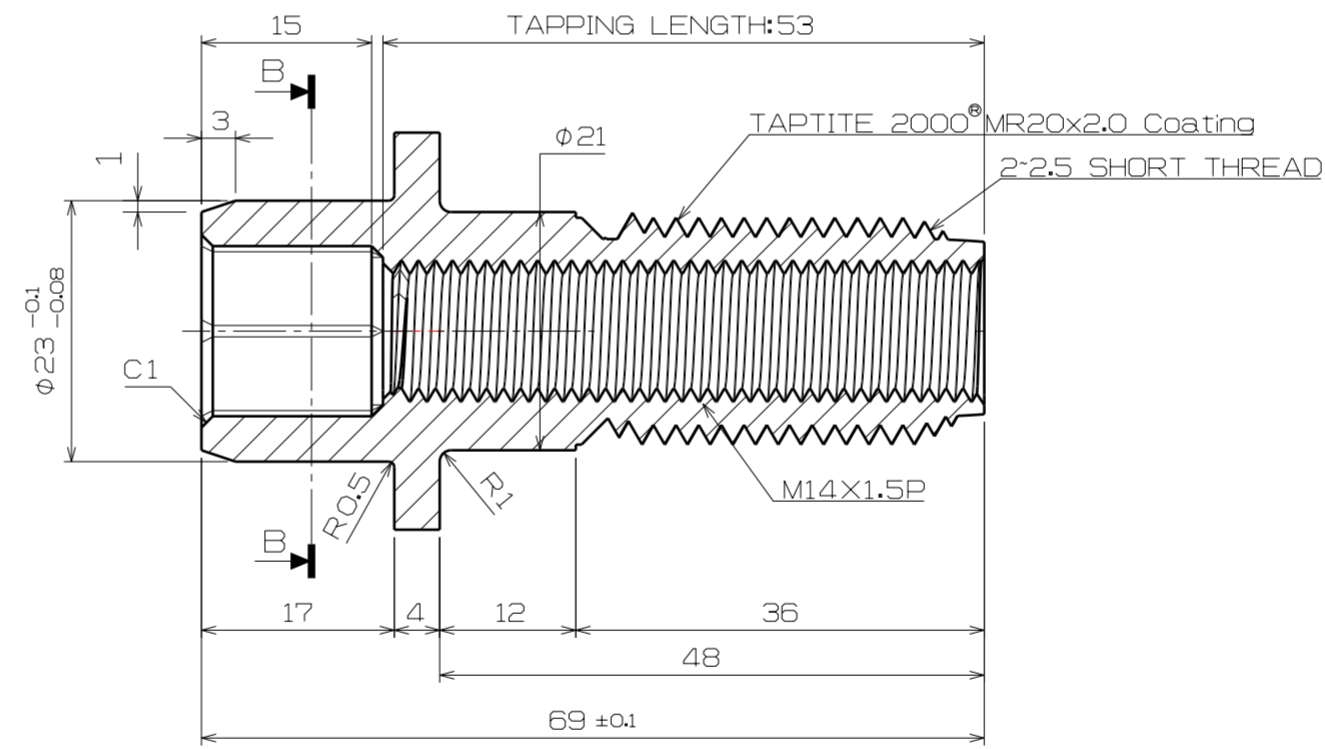
Taptite 2000® fasteners have a special point design featuring a Short lead (2-2.5 threads) for low thread-forming torque.

Metric Data

Screw Size	Screw Body Dimensions		Point
	C Nominal	D Nominal	CP Max.
MR20X2.0	20	19	18.76



Section View B-B



Section View A-A

