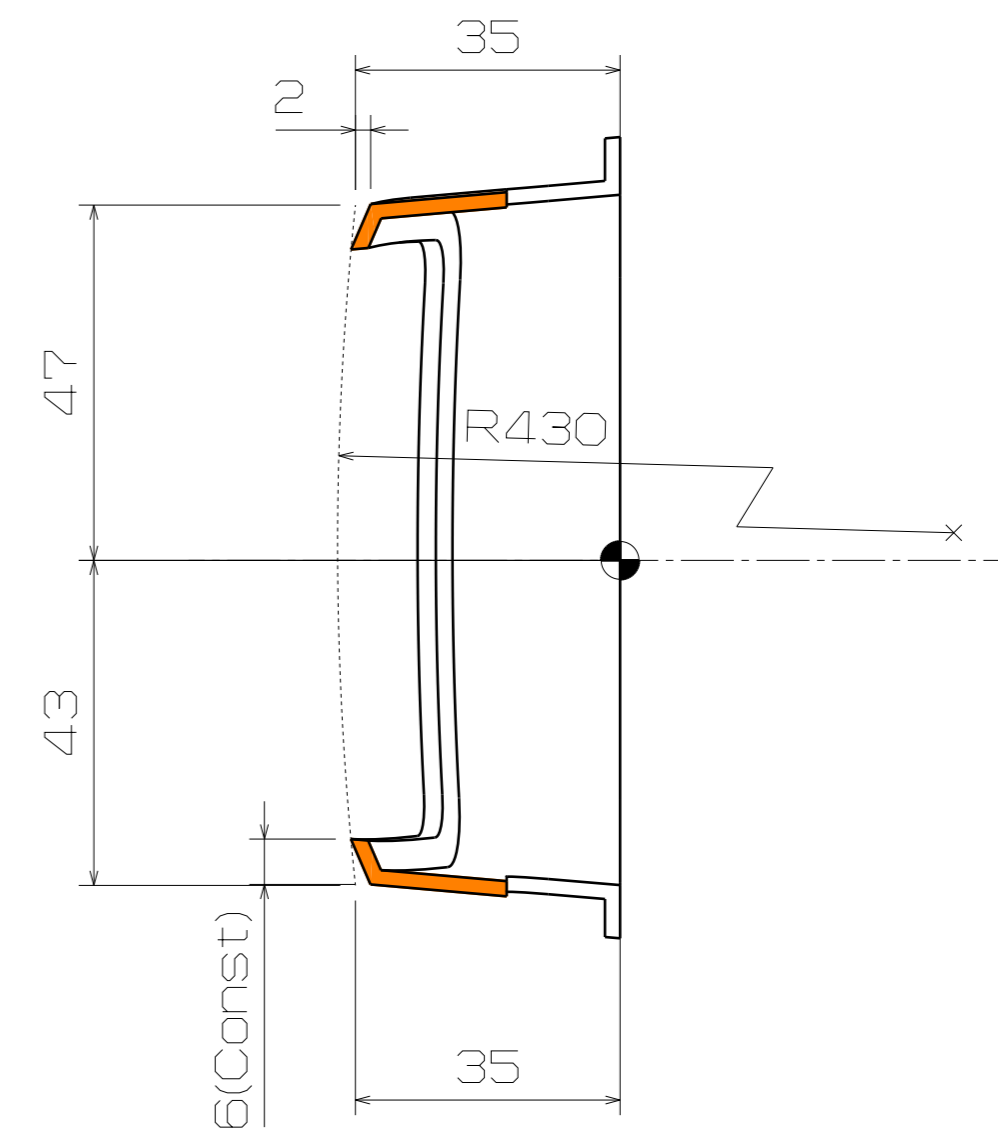
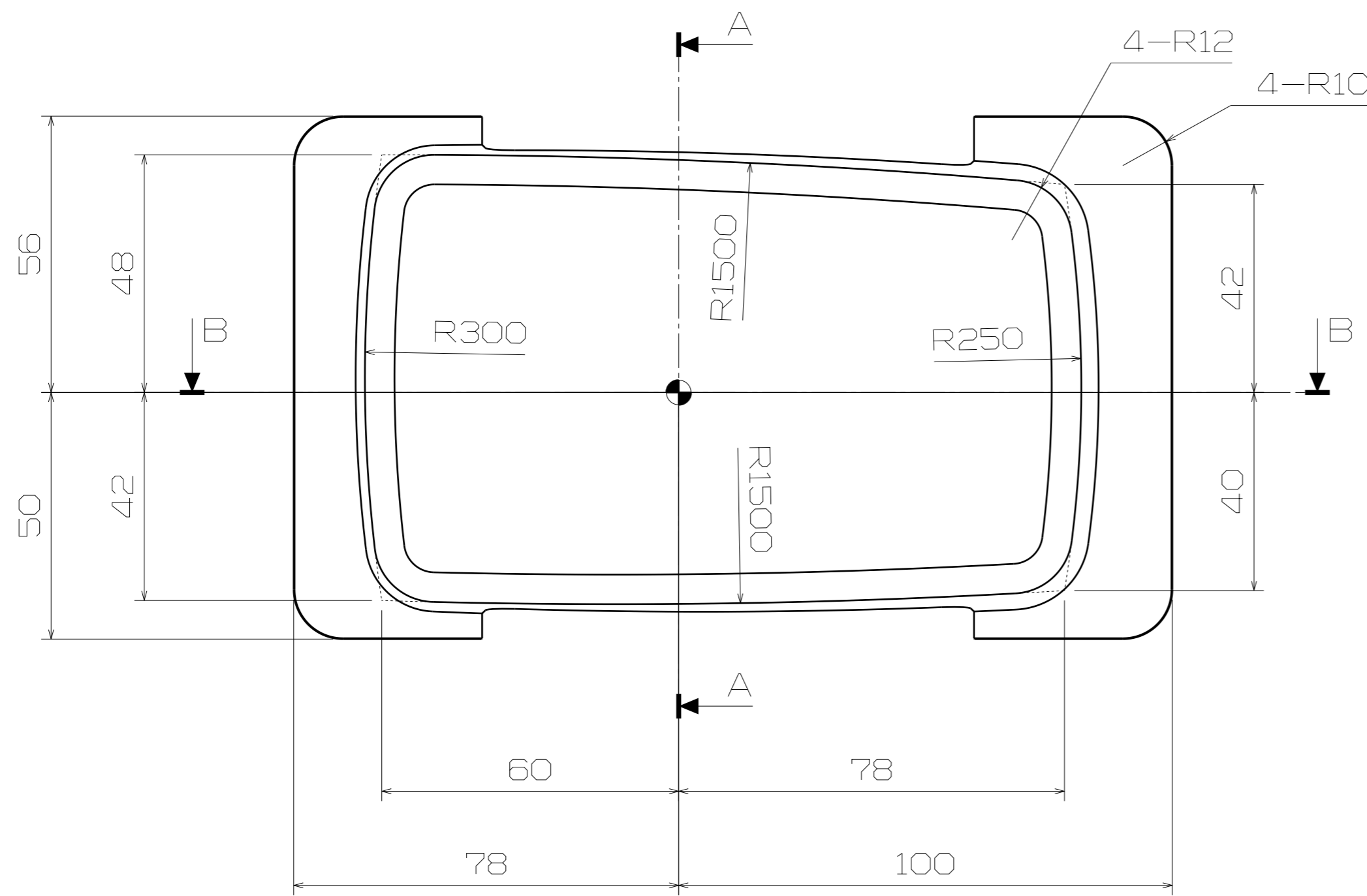


Section view B-B



Section view A-A

NOTE  
 Normal Thickness : 2mm  
 Normal Draft Angle : 5deg